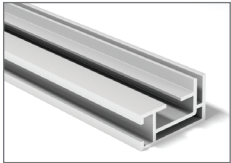
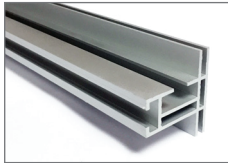


SINGLE-SIDED & DOUBLE-SIDED SUPPORT BAR ASSEMBLY



SINGLE-SIDED



DOUBLE-SIDED

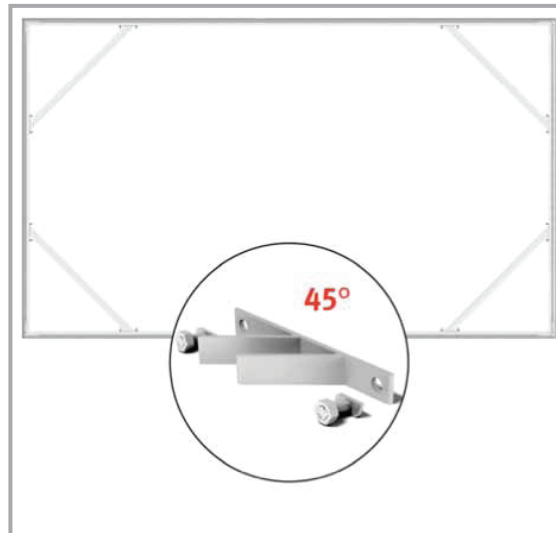
Step 1: Place the support bar and support bar connectors in front of you.



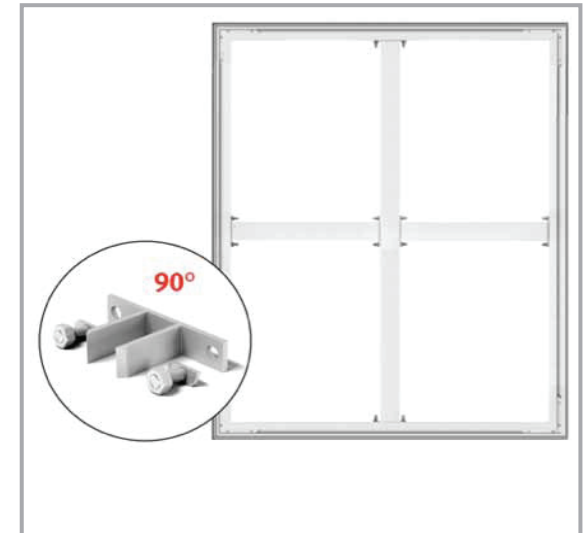
Step 4: Place support bar connector into light bar groove and tighten with wrench, then place support bar onto connector. Repeat on all sides.



Step 2: For 45° corner supports, use the 45° support bar connectors.



Step 3: For 90° middle supports, use the 90° support bar connectors.



40 VISUALS